

ANSWER SHEET

Name			
IC No			Form:
Question No.	CHIPS	Candidate's Answer	Marks
1.		D	1
2.		B	2
3.		C	3
4.		C	4
5.		D	5
6.		B	6
7.		A	7
8.		C	8
9.	(i)	FALSE/PALSU	9
	(ii)	TRUE/BENAR	10
	(iii)	TRUE/BENAR	11
10		B	12
11.	(i)	B	13
	(ii)	D	14
	(iii)	C	15
12.	(i)	TRUE/BENAR	16
	(ii)	TRUE/BENAR	17
13.	(i)	C	18
	(ii)	B	19
	(iii)	A	20
14.	(i)	FALSE/PALSU	21
	(ii)	TRUE/BENAR	22
15.	(i)	SELECTION CONTROL STRUCTURE	23
	(ii)	SEQUENCE CONTROL STRUCTURE	24
16.	(i)	DESIGN PHASE	25
	(ii)	PSEUDO CODE	26
17.		C	27
18.		D	28
19.	(i)	FOREIGN KEY	29
	(ii)	PRIMARY KEY	30
20.		FIELD	31
21.		DATABASE	32
22.		RELATIONSHIP	33
23.		QUERY	34
24.		DELETE	35
25.		PROCEDURE	36
TOTAL MARKS			

26. a) i) Faster productions
 ii) Can take over jobs that are dangerous to the human
 iii) More reliable
 iv) can work continuously with no need for breaks.
 v) can repeat a task accurately time and again without losing accuracy

Any relevant answer

[2 marks]

- b) i) High Cost
 ii) High maintenance
 iii) Employment
 iv) Less flexible

Any relevant answer

[2 marks]

Question 27

a.

- Controls / maintains the operations of a computer and devices.
- Interface between user, application software and computer's hardware.

b.

Graphical user interface (GUI)	Command line interface
User friendly	Not user friendly
Graphic based / icon based	Text based
Anyone can use as it is icon based	Must have computer skill to communicate with the computer

- 28 . a i X = Green
 ii Y = Orange/ White

[2 marks]

- b. Cross cable / Cross Over cable
 Cable used to connect two computing device directly

[2 marks]

- 29 a). X = Project manager Y= Designer

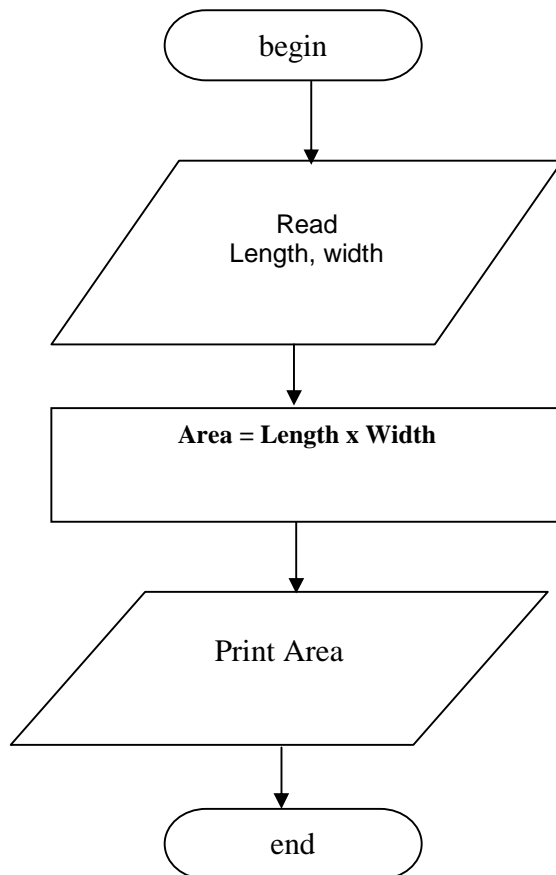
- b). * define the scope of the project and discuss with the client.
 * search for financial resources, equipment and facilities.
 * coordinate the production team.

30. a. Program Design

- build an algorithm to produce the required output from the given input using top-down design model, pseudo code, and flow chart
- design user-interface
-

[2 marks]

b. b)



1 mark for correct symbols
1 mark for correct arrows
1 mark for correct formula
1 mark for correct process/flow

Question 31

a) Star Topology

- * It is easy to implement. You only add nodes to the host.
- * The failure of a node does not affect the entire LAN.
- * There are no disruptions to the network when connecting or removing devices.
- * The network can be extended by adding new devices to the host or nodes.
- * Troubleshooting is easy when the host fails. Simply repair or replace the host and the network will continue to function.

[3 mark]

- b) i. Capability to access other computers within the network.
ii. To provide shared access to internet communication.
iii. To provide shared access to hardware such as printer.
iv. To provide shared access to software.
v. To provide shared access to data.

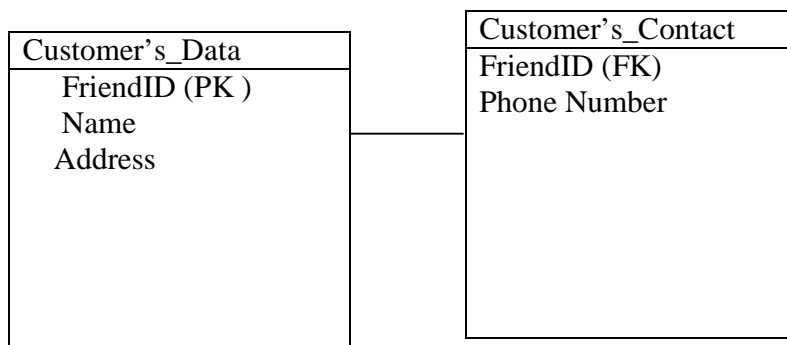
(Any related answers can be accepted.)

[4 mark]

Question 32

a) FriendID –is a field in a relational table that matches the primary key column of another table.

[3 Marks]



- Foreign Key - 1 Mark
- Relationship - 1 Mark
- Primary Key - 1 Mark
- Field (5 Field) - 1 Mark

Question 33

a. Price, date and expiry date

b.

